



The DN Series is a 'nC' certified light fitting available with a variety of lamp options. It offers the following benefits:

- Hinged lid opening for safe re-lamping
- Robust design for long life
- Non-dazzle, even light distribution due to lens design

Typical applications

Chemical sites	Offshore	Paint spray shops	Fuel storage facilities
Refineries	Marine	Grain storage	Water treatment plants
Docks / jetties	Water culverts	Paper mills	Metal treatment plants

Specification & options

Lamp types and 'T' ratings

Specification	Details
Certification Code (Gas)	Ex nC T3
Protection type	Ex nC (enclosed break)
ATEX / type class	Group II Category 3GD
Certification standards	EN 60079
Certificate(s)	03ATEXFDN/01
Suitable zoned areas	Zone 2, Zone 22
Gas group suitability	II
Ambient range (max)	-20°C to 30°C
Material	Die cast aluminium body and bezel, borosilicate glass lens
Ingress protection (IP rating)	IP65
Cable Entries	2 x M20—threaded entries at one end. (1 plugged)
Electrical connections	2 wire and earth. Cable size 4mm ² max
Control gear	Integral within the fitting (where used)
Supply voltage	220-250V, 50/60Hz
Installation / Mounting	4 mounting points (M8 screw size)
Re-lamp access	Remove bezel screws

Lamp Type / all E27 lamp holder, elliptical lamps	DN Series Bulkhead fitting All certified Ex nC
200W GLS (Max)	T3@Ta=25°C
80W MBF	T3@Ta=25°C
70W SON	T3@Ta=30°C



Cable entry



Terminal access



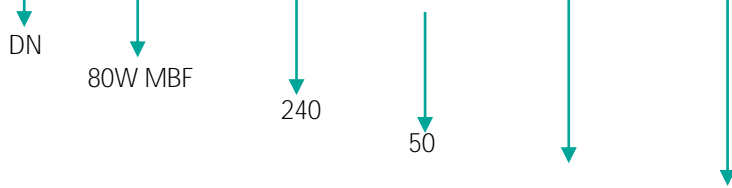
Lamp access

Sizes & Lamp options

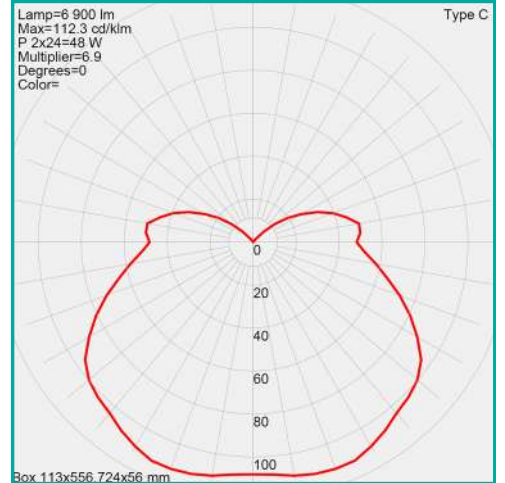
How to select your product for ordering

Example: A DN 80W MBF fitting for use at 240 volts 50Hz.

Model Lamp type / Voltage / Mains frequency / Options / Options

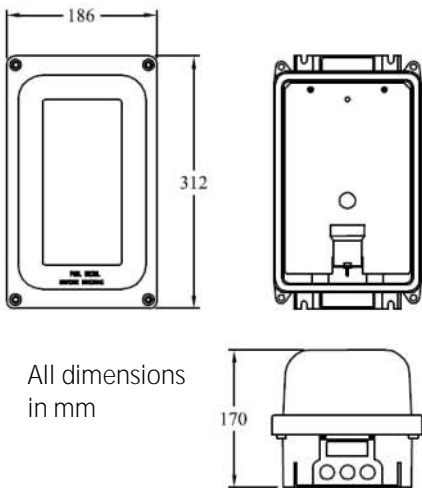


Product code required is:
DN80W/240/50



Photometric data available-contact for details

Fixings & Dimensions - all versions



Lamp	Weight / kg
70W SON	6.0
80W MBF	6.0
200W GLS	4.0

Also available from Petrel



Zone 1 Wellglass



Zone 1 Floodlight



Zone 1 Fluorescent



Industrial Bulkhead



Hazardous area control equipment

Representation worldwide

www.petrel-ex.co.uk

Petrel Limited
22 Fortnum Close, Kitts Green, Birmingham, B33 0LB United Kingdom

T +44 (0)121 783 7161 • F +44 (0)121 783 5717

• E sales@petrel-ex.co.uk • W www.petrel-ex.co.uk

Registered No. 1539429 England

Registered Office: Chuckery Road, Walsall WS1 2DU • VAT No. GB 695 8648 58

chamberlin plc

A Chamberlin plc company