

Hazardous Area Equipment



The ZT Series is a 'nA' certified floodlight fitting available with a variety of lamp options. It offers the following benefits:

- Hinged lid opening for safe re-lamping
- Graduated angle bracket for fast, accurate installations
- Light weight but strong die cast aluminium construction for long lifetime
- Asymmetric reflector for maximum downward light output

Typical applications

Chemical sites	Offshore	Paint spray shops	Fuel storage facilities
Refineries	Marine	Grain storage	Water treatment plants
Docks / jetties	Munitions yards	Paper mills	Metal treatment plants

Specification & options

Lamp types and 'T' ratings

Specification	Details
Certification Code (Gas and Dust)	Ex nA T4
Protection type	Ex nA (non sparking)
ATEX / type class	Group II Category 3GD
Certification standards	EN 60079
Certificate(s)	05ATEXFZT/01
Suitable zoned areas	Zone 2, Zone 22
Gas group suitability	II
Ambient range (max)	-20°C to 30°C
Material	Corrosion resistant die cast aluminium body and bezel, toughened glass lens
Ingress protection (IP rating)	IP66
Cable Entries	1 x M20 clearance hole in side of body
Electrical connections	2 wire and earth. Cable size 4mm ² max
Control gear	Integral within the fitting (where used)
Supply voltage	220-250V, 50/60Hz
Installation / Mounting	'U' shaped stirrup bracket with angle adjustment mechanism
Re-lamp access	2 screws with hinged lid
Weight	19.5kg—21 kg lamp dependent

Lamp Type / Lamp holder	ZT Series Floodlight All certified Ex nA
500W (Max) Tungsten Halogen / E40	T4@Ta=30°C
400W SON (Max) / E40	T4@Ta=30°C
400W MBI (Max) / E40	T4@Ta=30°C
400W HPMV (Max) / E40	T4@Ta=30°C



Cable entry



Terminal access



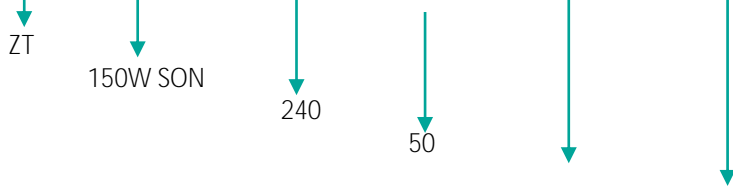
Graduated angle bracket (Standard)

Sizes & Lamp options

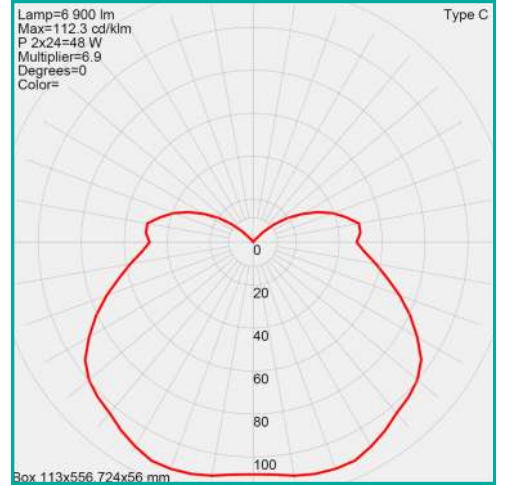
How to select your product for ordering

Example: A ZT 150W SON fitting for use at 240 volts 50Hz.

Model / Lamp type / Voltage / Mains frequency / Options / Options

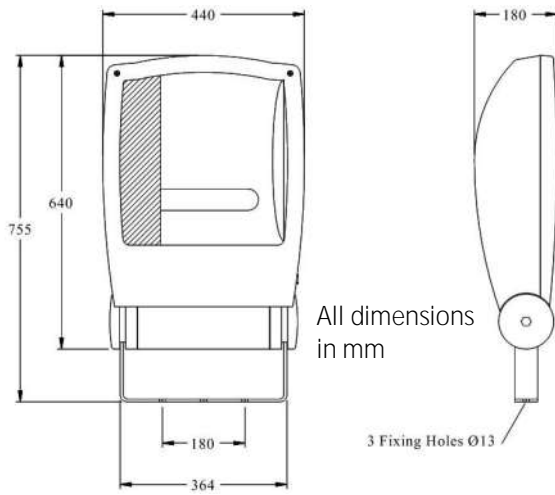


Product code required is:
ZT/150WSON/240/50



Photometric data available-contact for details

Fixings & Dimensions - all versions



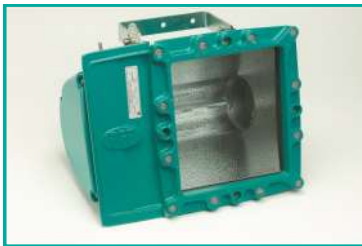
All dimensions
in mm

3 Fixing Holes Ø13

Also available from Petrel



Zone 1 Wellglass



Zone 1 Floodlight



Zone 1 Fluorescent



Industrial Bulkhead



Hazardous area control equipment

Representation worldwide

www.petrel-ex.co.uk

Petrel Limited
22 Fortnum Close, Kitts Green, Birmingham, B33 0LB United Kingdom

T +44 (0)121 783 7161 • F +44 (0)121 783 5717

• E sales@petrel-ex.co.uk • W www.petrel-ex.co.uk

Registered No. 1539429 England

Registered Office: Chuckery Road, Walsall WS1 2DU • VAT No. GB 695 8648 58

chamberlin plc

A Chamberlin plc company