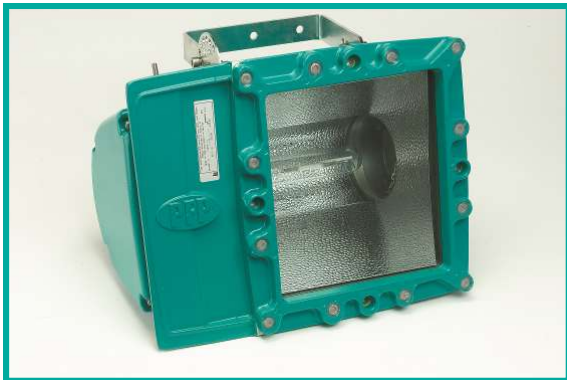


Hazardous Area Equipment



The 8 Series is a 'de' certified light fitting designed for maximum light output offering a wide variety of lamps. It offers the following benefits:

- Robust, long life Zone 1 fitting
- Fast re-lamping through easy access lamping port
- Large range of lamp options
- Easy beam focus with in-situ wide/narrow adjustment
- Accurate angled mounting using optional bracket
- Certified for use in gas and dust zoned applications
- Replaceable glass gives longer life
- Ex e terminal chamber for lower cost glanding

Typical applications

Chemical sites	Offshore	Paint spray shops	Fuel storage facilities
Refineries	Marine	Grain storage	Water treatment plants
Docks / jetties	Pharmaceutical	Paper mills	Metal treatment plants

Specification & options

Lamp options & 'T' ratings

Specification	Details
Certification Code (Gas)	Ex de IIB Gb T4 or T3
Certification Code (Dust)	Ex tb IIIC Db
Protection type	Ex de (flameproof, increased safety)
ATEX / IECEx type class	Group II Category 2 GD
Certification standards	EN 60079, EN 61241, IEC 60079, IEC 61241
Certificate(s)	SIRA01ATEX1035, IEC Ex SIR09.0030
Suitable zoned areas	Zone 1 and Zone 2, Zone 21 and Zone 22
Gas group suitability	IIA and IIB
Ambient range (max)	-20°C to 55°C - see lamp types
Material	Marine grade corrosion resistant aluminium body and covers with tough Borosilicate glass
Ingress protection (IP rating)	IP66
Cable Entries	2 x M20—ISO (1 plugged) as standard. Other threads available.
Electrical connections	2 wire and earth. Cable size 6mm ² max with looping facility
Control Gear	Integral within the luminaire with power correction where fitted
Supply voltage	110-270V 50/60 Hz see lamp options
Installation / Mounting	Direct to rear of body, optional graduated angle bracket, or optional pole mount kit
Re-lamp access	Via threaded lamp cover
Weight	29kg to 31 kg depending on lamp type

Lamp Type / E40 Lamp holder in all cases	8 Series 'T' rating All certified Ex de IIB (gas) and Ex tb IIIC (dust)
500W Tungsten (110-127V, AC or DC)	T3@Ta=55°C
500W Tungsten (220-250V AC or DC)	T3@Ta=50°C
250W SON (110V 50Hz)	T4@Ta=40°C
250W SON (127V 60Hz)	T4@Ta=40°C
250W SON/MBI (up to) (210-250V 50Hz)	T3@Ta=55°C
250W SON/MBI (up to) (220-277V 60Hz)	T3@Ta=55°C
400W SON/MBI (210-250V 50Hz)	T3@Ta=40°C
400W SON/MBI (220-277V 60Hz)	T3@Ta=40°C
250W HPMV (up to) (210-250V 50Hz)	T3@Ta=55°C
250W HPMV (up to) (220-277V 60Hz)	T3@Ta=55°C
400W HPMV (210-250V 50Hz)	T3@Ta=40°C
400W HPMV (220-277V 60Hz)	T3@Ta=40°C

Options	Details
Ballast	Available as spares for models where fitted
Stirrup mount bracket	For accurate angled mounting (Option SM)
Pole mount kit	Sturdy pole mounting bracket kit (Option PM)



Easy lamp access



Beam adjustment



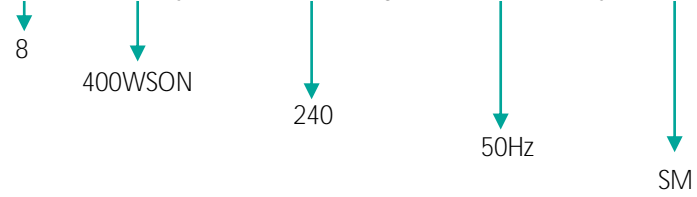
Adjustable bracket option

Ordering and fixing options

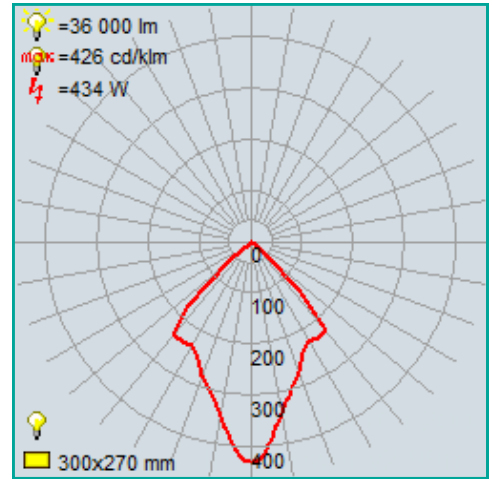
How to select your product for ordering

Example: An 8 Series 400W SON with angle mount bracket for use in the UK

Model / Lamp type / Mains voltage / Mains frequency / Options

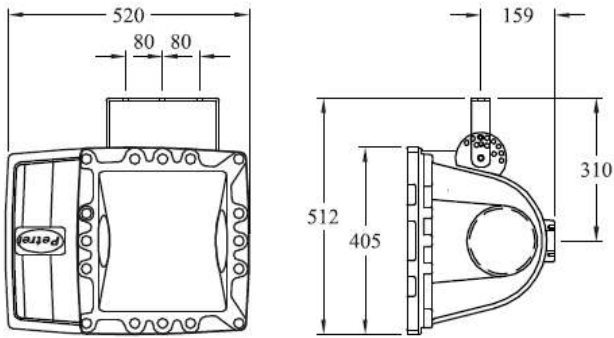


Product code required is:
8/ 400WSON / 240 / 50 / SM



Photometric data available contact for details

Fixing & Dimensions



Pole mount bracket available

Shown with optional angle mount bracket,
all dimensions in mm

Also available from Petrel



Zone 1 Wellglass



Zone 2 Floodlight



Zone 2 Fluorescent



Industrial Bulkhead



Hazardous area control equipment

Representation worldwide

www.petrel-ex.co.uk

Petrel Limited
22 Fortnum Close, Kitts Green, Birmingham, B33 0LB United Kingdom

T +44 (0)121 783 7161 • F +44 (0)121 783 5717
• E sales@petrel-ex.co.uk • W www.petrel-ex.co.uk

Registered No. 1539429 England

Registered Office: Chuckery Road, Walsall WS1 2DU • VAT No. GB 695 8648 58