

Explosion Proof Glands

BARR-W EEx d IIC Brass Barrier Gland 424TW Series



Application

- > For steel wire armoured cables

Features & Benefits

- > Brass indoor and outdoor cable gland for use in Zone 1 and Zone 2 hazardous areas
- > Suitable for circular, galvanised steel single wire armour cables with extruded polymeric oversheath and extruded or taped bedding
- > Achieves IP66 seal onto cable and to enclosure with suitable sealing washer or thread sealant
- > Provides mechanical cable retention and electrical continuity through the armour wire termination
- > Suitable for most climatic conditions – weatherproof & waterproof
- > Nickel plated versions also available
- > Matching accessory kits available

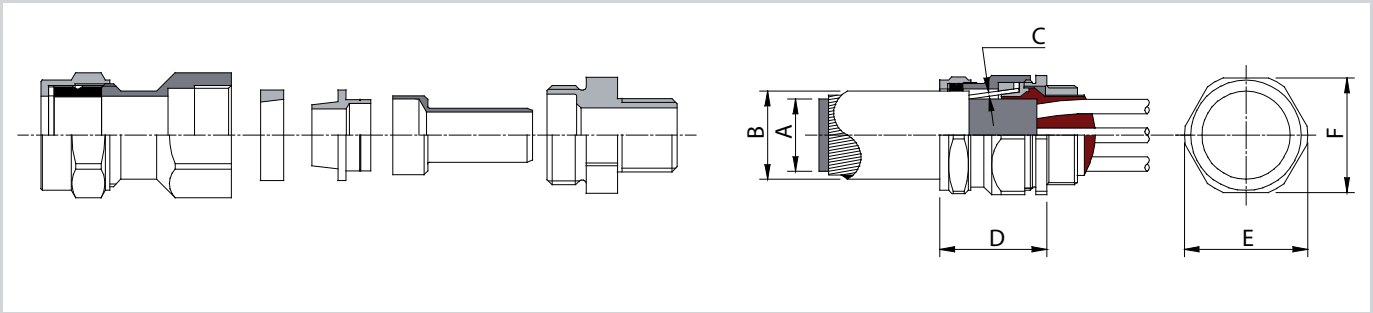


Technical Data

- > Certified II2GD, EEx II & EEx d IIC under ATEX directive 94/9/EC.
- > IECEx SIR 10.0072x
- > Certificate number Sira04ATEX1080X
- > Applicable standards:
 - IEC 60079-0:2004
 - IEC 60079-1:2007-04
 - IEC 60079-7:2006-07
 - IEC 61241-0:2004
 - IEC 61241-1:2004
 - EN 60079-0:2006
 - EN 60079-1:2007
 - EN 60079-7:2007
 - EN 61241-0:2006
 - EN 61241-1:2004
- > Service temperature range -60°C to +90°C.
- > May be used in:
 - Zones 0, 1 & 2 with EEx ia IIA, B & C equipment
 - Zones 1 & 2 with EEx ib IIA, B & C equipment
 - Zones 1 & 2 with EEx d IIA, B & C equipment with any volume
 - Zones 1 & 2 with EEx e II equipment
 - Zones 1 & 2 with EEx p II equipment
 - Zone 2 with EEx nA II equipment
 - Zone 2 with EEx nR II equipment
 - Zones 21 & 22 with Extd A21 IP66



BARR-W EEx d IIC Brass Barrier Gland



Gland Details

Basic Size	Gland References & Thread Sizes				Max. Dia. Over Conductors	Max. No. of Conductors	Cable Dimensions mm				Armour Wire Dia. 'C'	Gland Dimensions mm		
	Metric		NPT				Inner Sheath Dia. 'A'		Overall Dia. 'B'			Approx. Length 'D'	Hexagon Size	
	Design No.	Thread Size *	Design No.	Thread Size †			Min	Max	Min	Max			A/C 'E'	A/F 'F'
20S	424TW52	M20 × 1.5	424TW02	½" - 14 NPT	11.0	30	—	12.5	8.0	15.8	0.9 / 1.4	67	34.0	30.5
20	424TW53	M20 × 1.5	424TW03	½" - 14 NPT	11.0	30	—	12.5	11.7	20.8	0.9 / 1.4	64	34.0	30.5
25	424TW55	M25 × 1.5	424TW05	¾" - 14 NPT	16.0	42	11.5	18.0	17.0	27.2	1.25 / 1.6	65	42.2	37.6
32	424TW56	M32 × 1.5	424TW06	1" - 11½ NPT	22.1	60	17.0	25.0	19.0	33.5	1.6 / 2.0	77	53.6	47.3
40	424TW57	M40 × 1.5	424TW07	1¼" - 11½ NPT	28.2	100	24.0	31.5	26.5	39.9	1.6 / 2.0	77	61.5	56.4
50	424TW59	M50 × 1.5	424TW09	2" - 11½ NPT	37.1	200	30.0	41.5	36.0	52.6	2.0 / 2.5	84	77.2	70.1
63	424TW61	M63 × 1.5	424TW11	2½" - 8 NPT	48.4	400	40.0	54.0	46.5	65.3	2.5	90	87.4	80.0
75	424TW63	M75 × 1.5	424TW13	3" - 8 NPT	58.6	400	53.0	65.5	58.0	78.0	2.5 / 3.15	96	109.2	98.8
85	424TW64	M85 × 2	424TW14	3" - 8 NPT	65.8	400	60.0	74.0	68.0	88.0	2.5 / 3.15	108	126.0	115.0

* 1.5mm Pitch threads are supplied 15mm long, 2mm pitch threads are supplied 20mm long

† NPT thread lengths comply with new UL2225 requirements