

Cleats & Cable Fixings

Telcleat

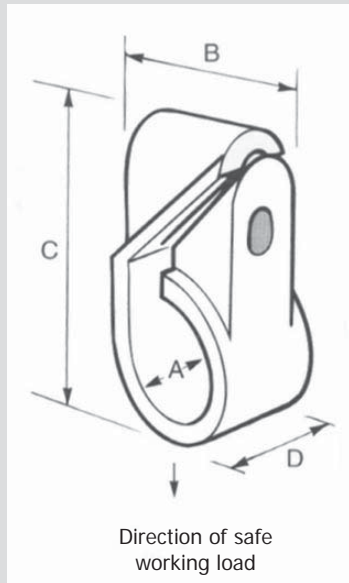
BIcon

Description

- > Suitable for cables 10-51mm in diameter
- > 8 sizes in range
- > Overlapping self adjusting ranges
- > Sunlight (UV) and weather resistant
- > One piece, single fixing design
- > Can be double stacked on one fixing
- > Operating temperature -70°C to +70°C
- > Black low-density polyethylene - unaffected by corrosive environments, oils and many chemicals



Telcleat



Cable and Cleat Details

Design Number	Cable & Cleat Selection		Standard Pack Quantities	Cleat Details							Roundhead woodscrew for masonry, concrete or wood ins x No	Screw cable tray mm
	Cable Diameter A (mm)			Dimensions (mm)				SWL (FOS 3) kgf	Approx. Weight g			
	Min	Max		Min	Max	C Max	D					
385AA01	10.5	14.5	100	15	18	32	12	17	2.3	1 1/4 x 8	M4 x 30	
385AA02	12.2	16.7	100	17	22	36	14	22	3.4	1 1/2 x 8	M4 x 35	
385AA03	14.6	19.8	100	21	26	43	16	32	5.5	1 3/4 x 8	M4 x 40	
385AA04	17.7	24.0	50	25	31	51	18	40	8.6	2 x 8	M4 x 45	
385AA05	21.7	28.5	25	30	37	57	20	47	12.4	2 1/4 x 12	M6 x 50	
385AA06	26.2	34.2	25	35	43	65	22	59	16.4	2 1/2 x 12	M6 x 60	
385AA07	31.9	41.6	10	42	52	78	25	79	24	2 3/4 x 12	M6 x 70	
385AA08	39.3	51.1	10	50	62	91	26	82	35	3 1/4 x 12	M7 x 80	

Method of Fixing

The cleat is opened up and placed around the cable so that the end of the cleat containing the slot will be in contact with the mounting surface, except for the 385AA01, which should be reversed to put the slot uppermost. In this case an M5 washer should be used to prevent the nut entering the slot of the cleat.

When mounting directly on "Unistrut" or "Leprack" type channel section an adaptor plate should be used (please see separate datasheet).

SWL = Safe Working Load

FOS 3 = Values include a Factor of Safety of 3