

Cleats & Cable Fixings

Aluminium Two Bolt Cleat

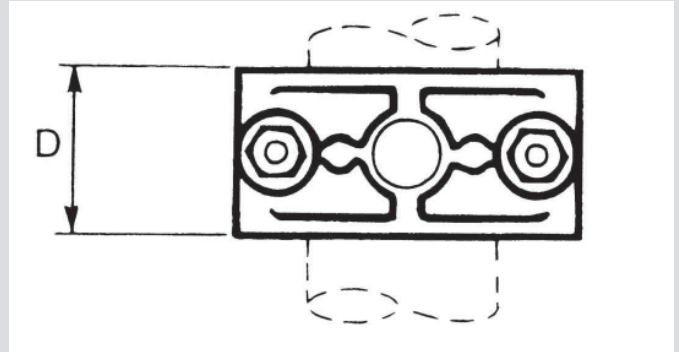
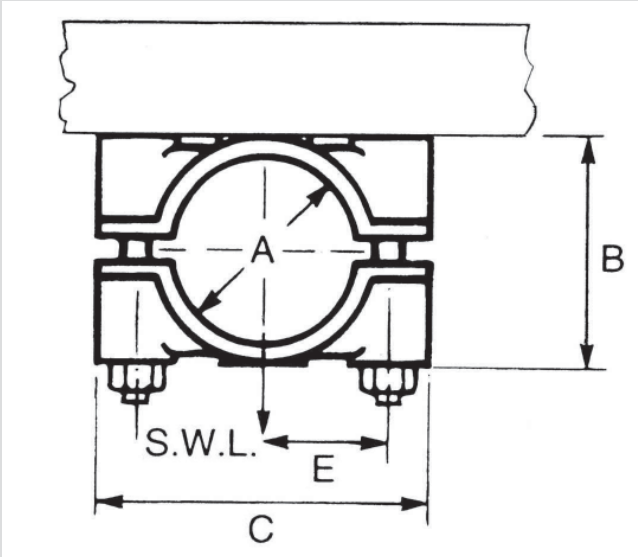


Description

- > Suitable for use with cables from 51 to 114mm in diameter
- > Available in 10 sizes
- > Can be used for all types of cable routes
- > Plain finish - for indoor dry normal industrial use or outdoor unpolluted areas
- > Operating temperature -60°C to +100°C
- > Two-piece, two fixing design
- > Can be double stacked on common fixings



Aluminium Two Bolt Cleat



Cable and Cleat Details

Cable & Cleat Selection			Cleat Details						
Design Number	Cable Diameter A (mm)		Dimensions (mm)				Approx. Weight g	SWL (FOS 3) kg	Stud Size
	Min	Max	B	C	D	E			
370BA10	51	57	68	98	49	38	230	408	M10
370BA11	57	64	75	98	49	38	240	665	M10
370BA12	64	70	84	135	64	57	410	622	M10
370BA13	70	76	90	135	64	57	400	617	M10
370BA14	76	83	96	140	64	57	410	600	M12
370BA15	83	89	101	140	64	57	490	600	M12
370BA16	89	95	114	152	76	63	650	600	M12
370BA17	95	101	120	152	76	63	650	600	M12
370BA18	101	108	134	165	76	70	900	600	M12
370BA19	108	114	139	165	76	70	900	600	M12

METHOD OF FIXING

In all applications the cleats should be mounted on suitable fixings, see table for appropriate size. When mounting directly on "Unistrut" or "Leprack" type channel, adaptor plates 380AG02 or 380AG03 should be used. (Please see separate datasheet).

SWL = Safe Working Load

FOS 3 = Values include a Factor Of Safety of 3.