


U.I. Lapp GmbH	PRODUCT INFORMATION	
	SKINDICHT® KW-M	12.09.2012

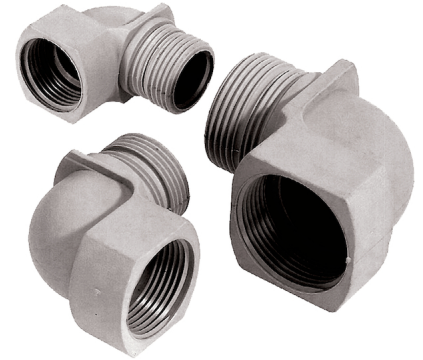
Space- and weight-saving application due to thin cable diameters
Decrease in installation height



Application range

Angled glands are used in areas where cables have to run in parallel to the housing wall.

Light and sound applications
Control cabinet manufacturing



Design

Metric connection thread acc. to EN 50262

Note

Refer to SKINDICHT® O-ring Perbunan® for suitable O-rings

SKINDICHT® KW-M can be combined with any cable gland, in particular with SKINTOP® ST-M

Counter nut to be used: SKINTOP® GMP-GL-M

Remark

Perbunan® is a registered trademark of BAYER AG

Photographs are not to scale and do not represent detailed images of the respective products.

Technical Data

Colour delivered:	Silver grey (RAL 7001)
Material:	Polyamide, glass fibre-reinforced
Protection rating:	IP 55
Temperature range:	-20°C to +80°C


Product Management	Document: LAPP_PRO1019EN.pdf	1 / 3
--------------------	------------------------------	-------

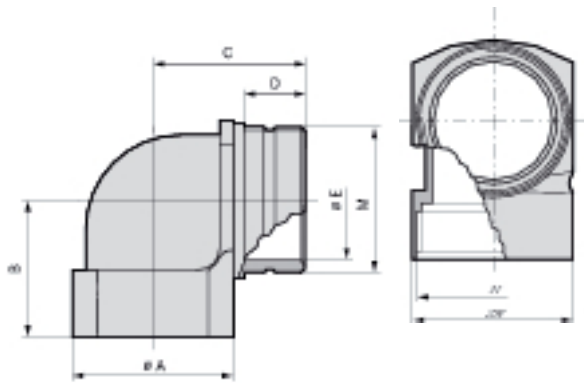


SKINDICHT® KW-M

12.09.2012

Part number	Article designation / size	A mm	B in mm	Ø-E mm	SW (mm)	Overall length/ C (mm)	Thread length/ D (mm)
SKINDICHT® KW-M							
52106210	16 x 1,5	19.0	21.5	11	19	24.0	13.0
52106220	20 x 1,5	25.0	24.5	15	25	29,5	15.0
52106230	25 x 1,5	30.0	28.0	20	30	33,5	16.0
52106240	32 x 1,5	36.0	31.5	26	36	38.0	17.0

U.I. Lapp GmbH	PRODUCT INFORMATION	
	SKINDICHT® KW-M	12.09.2012



Product Management	Document: LAPP_PRO1019EN.pdf	3 / 3
--------------------	------------------------------	-------