

U.I. Lapp GmbH	<b>PRODUCT INFORMATION</b>	
	<b>SKINTOP® MS-M ATEX BRUSH</b>	<b>12.09.2012</b>

Faster and less complicated assembling than any other system  
Optimum, low-resistance 360° screen contact  
Simple cable adjustment  
Easy to uninstall  
Anti-static, safe, and impact-resistant at cold temperatures



### Application range

For EMC-compliant earthing of the copper braiding, or for cables with copper shaft sheath  
Chemical and petrochemical industry  
Plant engineering  
Equipment group II / Category 2G+1D  
Devices, machines and apparatus of enhanced safety protection type "e"

### Design

Metric connection thread acc. to EN 50262

### Note

SKINDICHT® SHVE-M 20 x 1.5 ATEX design with EMC earthing sleeve to cover smaller cable clamping ranges

### Remark

Photographs are not to scale and do not represent detailed images of the respective products.

Product Management	Document: LAPP_PRO149367EN.pdf	1 / 4
--------------------	--------------------------------	-------

U.I. Lapp GmbH	<b>PRODUCT INFORMATION</b>	
	<b>SKINTOP® MS-M ATEX BRUSH</b>	<b>12.09.2012</b>

### Technical Data

Caution:	Refer to the instruction leaflet for the installation dimensions and torques
Approvals:	DNV for SKINDICHT® SHVE-M ATEX pending
Note:	SKINDICHT® SHVE-M ATEX IBExU08ATEX1161 X Ex II 2G Ex e II Ex II 1D Ex tD A20 IP 6X SKINTOP® MS-M ATEX BRUSH IBExU01ATEX1041 X Ex II 2G Ex e II Ex II 1D tD A20 IP6X
Material:	SKINTOP® MS-M ATEX BRUSH Body: nickel plated brass Insert: special polyamide EMV-Brush: brass Seal: special elastomer O-Ring: special elastomer SKINDICHT® SHVE-M ATEX Body: nickel plated brass Earthing sleeve: brass Seal: special elastomer O-Ring: special elastomer
Tests:	DIN EN 60079-0 DIN EN 60079-7
Protection rating:	Remark: A RoHS-non-compliant version is marketed under ÖLFLEX® 110 with VDE-REG.-Nr. 8067. To order this, please add appendix <1> to the below stated part numbers. This does not affect the above given further technical data or description.
Temperature range:	SKINTOP® MS-M ATEX BRUSH -30°C to +90°C SKINDICHT® SHVE-M ATEX -20°C to +80°C

Product Management	Document: LAPP_PRO149367EN.pdf	2 / 4
--------------------	--------------------------------	-------

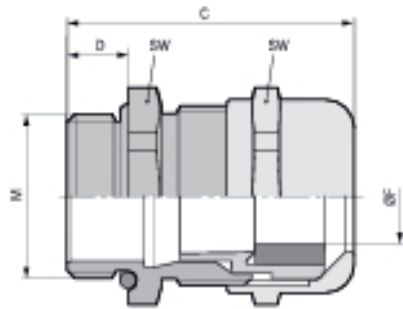
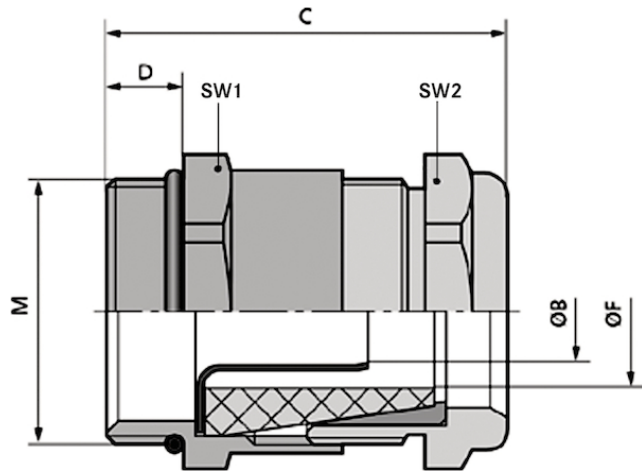


**SKINTOP® MS-M ATEX BRUSH**

12.09.2012

Part number	Article designation / size	Outer Ø (mm)/ from - to	Minimum Ø above braiding (mm)	SW (mm)	Thread length inner mm
SKINDICHT® SHVE-M ATEX					
52107102	20 x 1,5	6,9 - 8,9	5	22	6.0
SKINTOP® MS-M ATEX BRUSH					
52110023	25 x 1,5	9 - 17	6	29	8.0
52110024	32 x 1,5	11 - 21	8	36	9.0
52110025	40 x 1,5	19 - 28	10	45	9.0
52110026	50 x 1,5	27 - 35	14	54	10.0
52110027	63 x 1,5	34 - 45	20	67	15.0
52110028	63 x 1,5 plus	44 - 55	25	75	15.0

U.I. Lapp GmbH	<b>PRODUCT INFORMATION</b>	 <b>LAPP GROUP</b>
<b>SKINTOP® MS-M ATEX BRUSH</b>		12.09.2012



Product Management	Document: LAPP_PRO149367EN.pdf	4 / 4
--------------------	--------------------------------	-------