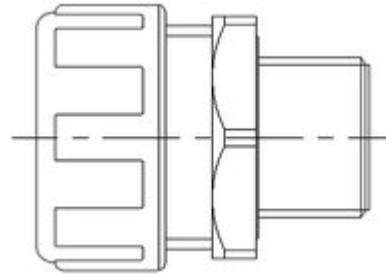
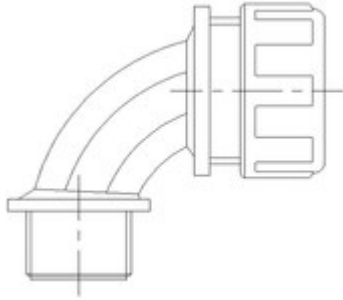


### Product Description

Heat-resistant; Easy assembly of cables and wires; Bendable; Crush-resistant; A fully insulated system when used in combination with SILVYN® MPC/MPC-M



### Application range

- Mechanical engineering
- Machine tools
- Vending machine construction
- Applications with higher temperatures

### Benefits

- Heat-resistant
- Easy assembly of cables and wires
- Bendable
- Crush-resistant
- A fully insulated system when used in combination with SILVYN® MPC/MPC-M

### Design

- Integrated hard PVC spiral



- Modified soft PVC sheath

### Approvals

- UL FILE NUMBER E308201

### Product features

- Heat-resistant
- Flexible
- Smooth inner wall
- Dimensionally stable

### Technical Data

**Colour delivered**

Blue (RAL 5012)

**Temperature range**

-20 °C to +90 °C

**Material**

Special soft PVC sheath with hard PVC spiral

### Article List

Part number	Internal Ø x external Ø (mm)	Bending radius (mm)	Inner Ø (mm)	Suitable for SILVYN® MPC-M/MPC 90°M	Suitable for SILVYN® MPC	Suitable for SILVYN® MPC 90°	PU ring (m)
SILVYN® ELT							
61751700	10 x 14,7	20	10	12 x 1,5	9	9	30
61751710	12 x 16,6	25	12	16 x 1,5	11/13,5	11/13,5	30
61751720	16 x 20,7	30	16	20 x 1,5	13,5/16	13,5/16	30
61751730	22 x 27,7	40	22	25 x 1,5	21	21	30
61751740	25 x 30,6	45	25	32 x 1,5	29	29	30
61751750	28 x 33,5	50	28	32 x 1,5	29	29	30
61751760	35 x 41	60	35	40 x 1,5	36	36	30
61751770	40 x 46,4	70	40	50 x 1,5	42		30
61751780	50 x 57,2	85	50	63 x 1,5	48		30



**Footnote:**

Photographs are not to scale and do not represent detailed images of the respective products.