
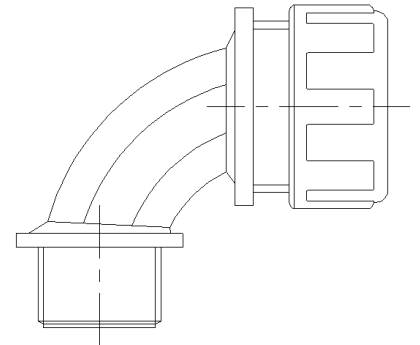


U.I. Lapp GmbH	PRODUCT INFORMATION	
	SILVYN® ELÖ	12.09.2012

Resistant to grease, cooling agents and oils, especially ASTM2 testing oil
 Easy assembly of cables and wires
 Bendable
 Crush-resistant
 A fully insulated system when used in combination with SILVYN® MPC/MPC-M



Application range

Mechanical engineering
 Machine tools
 Vending machine construction
 Applications with strong chemical influences

Design

Integrated hard PVC spiral
 Special soft PVC sheath

Approvals (Norm references)

UL FILENUMBER E308201

Product features

Oil-resistant
 Flexible
 Smooth inner wall
 Dimensionally stable

Remark

Photographs are not to scale and do not represent detailed images of the respective products.

Technical Data

Colour delivered: Green (RAL 6001)
 Material: Special soft PVC sheath with hard PVC spiral
 Temperature range: -20°C to +70°C


Product Management	Document: LAPP_PRO1136EN.pdf	1 / 3
--------------------	------------------------------	-------

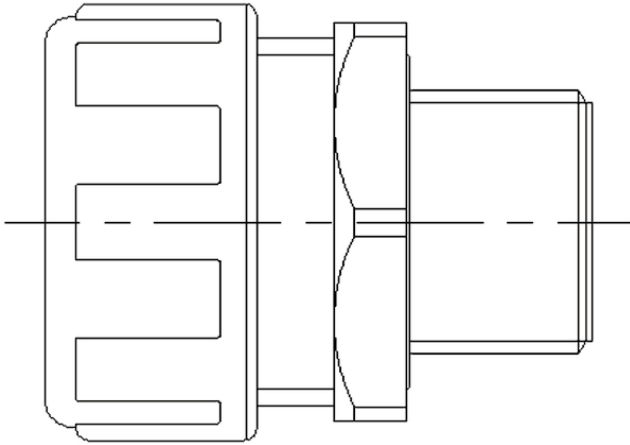


SILVYN® ELÖ

12.09.2012

Part number	Internal Ø x external Ø (mm)	Bending radius (mm)	Inner Ø (mm)	Suitable for SILVYN® MPC-M/MPC 90° M	Suitable for SILVYN® MPC	Suitable for SILVYN® MPC 90°	PU ring (m)
SILVYN® ELÖ							
61751610	10 x 14,7	20	10	12 x 1,5	9	9	30.0
61751620	12 x 16,6	25	12	16 x 1,5	11/13,5	11/13,5	30.0
61751630	16 x 20,7	30	16	20 x 1,5	13,5/16	13,5/16	30.0
61751640	22 x 27,7	40	22	25 x 1,5	21	21	30.0
61751650	25 x 30,6	45	25	32 x 1,5	21	21	30.0
61751660	28 x 33,5	50	28	32 x 1,5	29	29	30.0
61751670	35 x 41	60	35	40 x 1,5	36	36	30.0
61751680	40 x 46,4	70	40	50 x 1,5	42		30.0
61751690	50 x 57,2	85	50	63 x 1,5	48		30.0

U.I. Lapp GmbH	PRODUCT INFORMATION	 LAPP GROUP
	SILVYN® ELÖ	12.09.2012



Product Management	Document: LAPP_PRO1136EN.pdf	3 / 3
--------------------	------------------------------	-------